

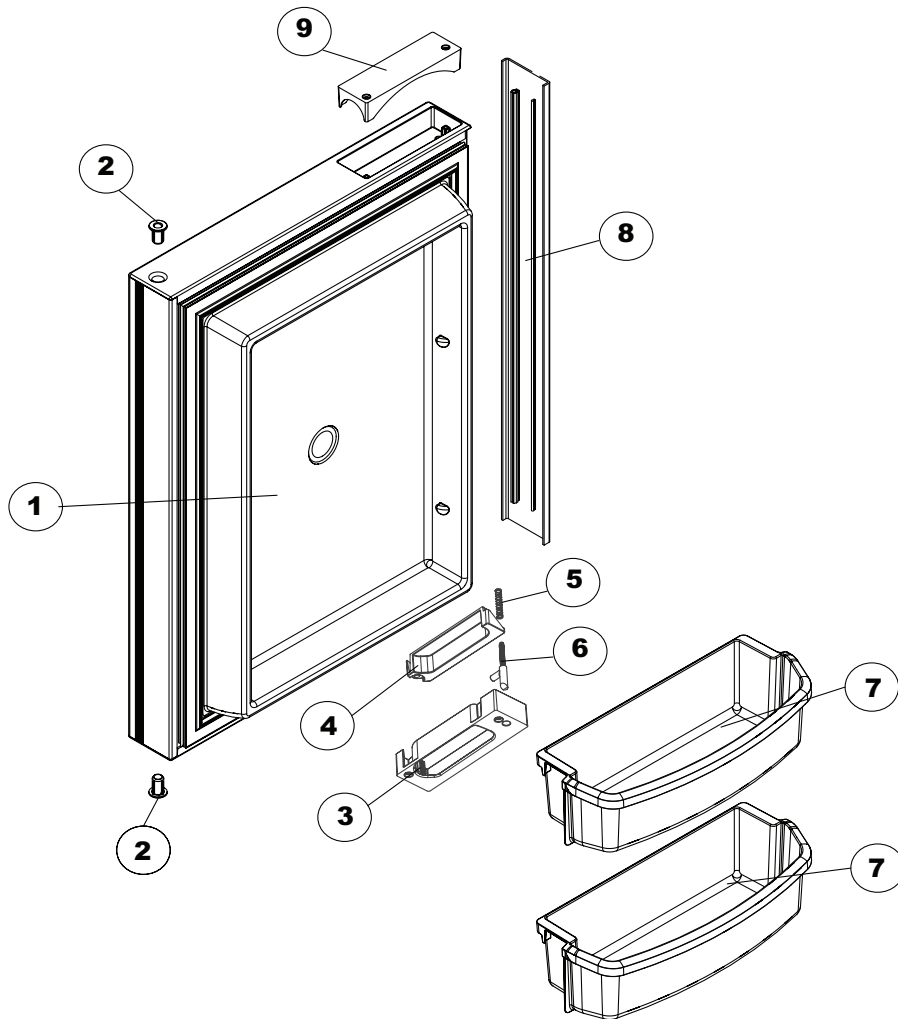


PARTS LIST 2117 SERIES

MODELS

2117IM	2117IMC
2117IMD	2117IMCD
2117IMBK	2117IMCBK
2117IMBKD	2117IMCBKD
2117IMSS	2117IMCSS
2117IMSSD	2117IMCSSD
2117IMWPM	

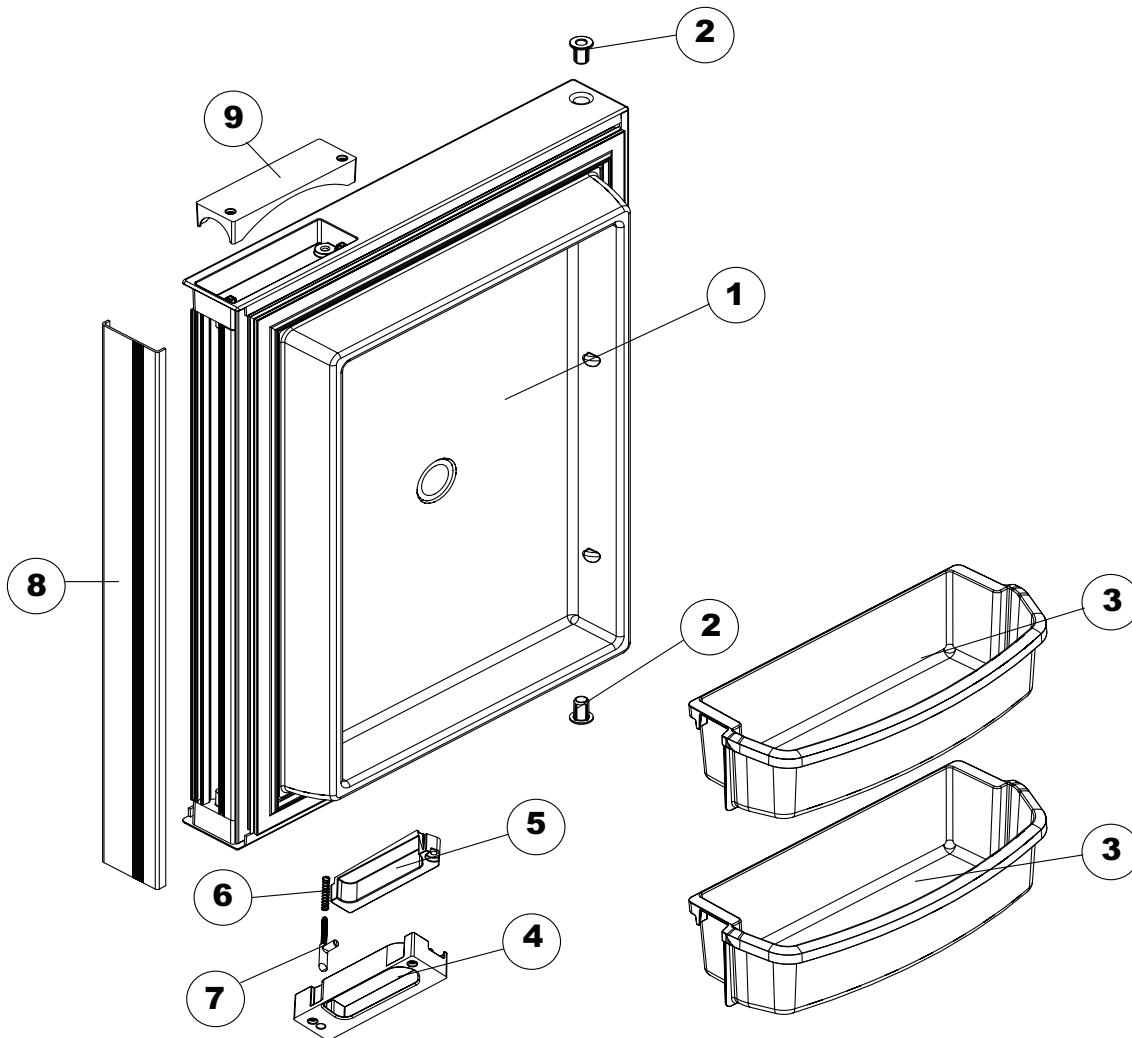
DOOR - UPPER RH - 2117 SERIES



NO.	PART #	DESCRIPTION	2117IM	2117IMD	2117IMBK	2117IMBKD	2117IMSS	2117IMSSD	2117IMWPM
			2117IMC	2117IMCD	2117IMCBK	2117IMCBKD	2117IMCSS	2117IMC SSD	
1	630245	DOOR LINER WITH HANDLE-UPPER/RH/PANEL	X	X					
	632803	DOOR INER WITH HANDLE-UPPER/RH/AT BLACK			X	X			
	630250	DOOR LINER WITH HANDLE-UPPER/RH/WRAP/AT SS					X	X	
	63035101	DOOR LINER WITH HANDLE-UPPER/RH/WRAP/WPM							X
2	627744	HINGE BUSHING-PANEL DOORS	X	X					
3	627712	DOOR HANDLE HOUSING-UPPER RH/LOWER LH	X	X	X	X	X	X	X
4	628017	DOOR HANDLE-UPPER RH/LOWER LH	X	X	X	X	X	X	X
5	627805	SPRING-COMPRESSION	X	X	X	X	X	X	X
6	628616	DOOR HANDLE LATCH PIN-UPPER RH/LOWER LH	X	X	X	X	X	X	X
7	628035	BIN-DOOR SHELF/SMALL	X	X	X	X	X	X	X
8	627423	PANEL RETAINER-UPPER	X	X					
9	627871	COVER-HANDLE POCKET-UPPER RH	X	X	X	X	X	X	X

NOTE: DOOR LINERS ASSEMBLIES ARE NOT SHIPPED WITH DOOR BINS.

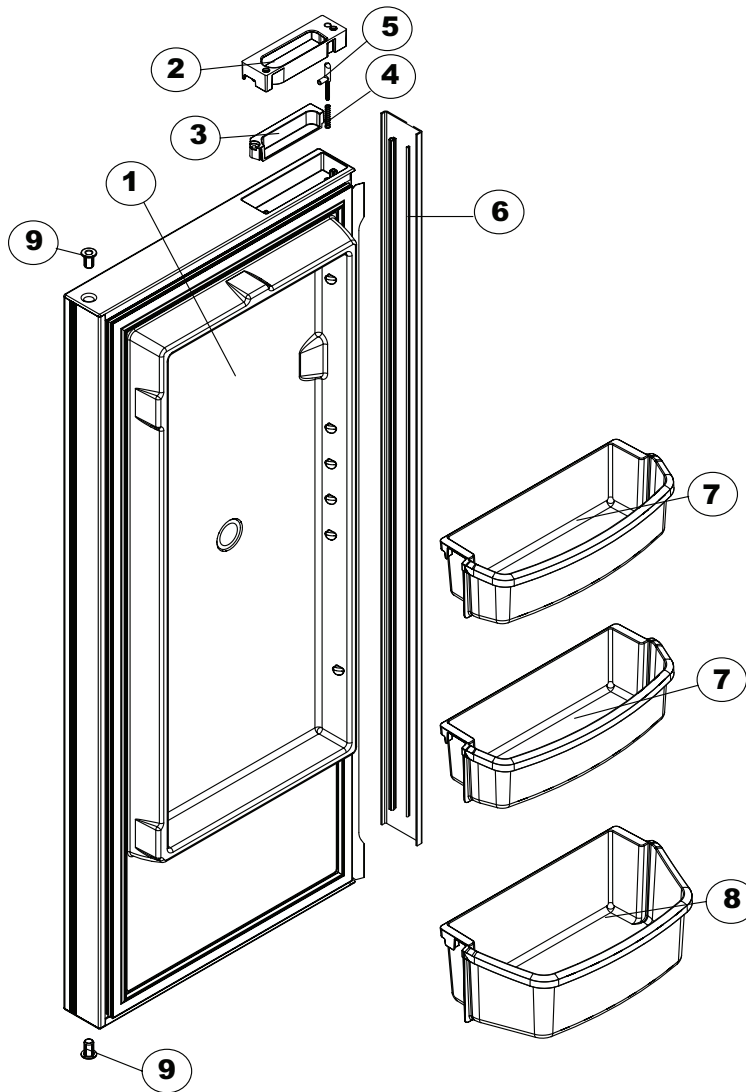
DOOR - UPPER LH - 2117 SERIES



NO.	PART #	DESCRIPTION	2117IM	2117MD	2117IMBK	2117IMBKD	2117IMSS	2117IMSSD	2117IMWPM
			2117IMC	2117IMCD	2117IMCBK	2117IMCBKD	2117IMCSS	2117IMCSSD	
1	630244	DOOR LINER WITH HANDLE-UPPER/LH/PANEL	X	X					
	632804	DOOR LINER WITH HANDLE-UPPER/LH/AT BLACK			X	X			
	630249	DOOR LINER WITH HANDLE-UPPER/LH/WRAP/AT SS					X	X	
	63035001	DOOR LINER WITH HANDLE-UPPER/LH/WRAP/WPM							X
2	627744	HINGE BUSHING-PANEL DOORS	X	X					
3	628035	BIN-DOOR SHELF/SMALL	X	X	X	X	X	X	X
4	627713	DOOR HANDLE HOUSING-UPPER LH/LOWER RH	X	X	X	X	X	X	X
5	628018	DOOR HANDLE-UPPER LH/LOWER RH	X	X	X	X	X	X	X
6	627805	SPRING-COMPRESSION	X	X	X	X	X	X	X
7	628615	DOOR HANDLE LATCH PIN-UPPER LH/LOWER RH	X	X	X	X	X	X	X
8	627423	PANEL RETAINER-UPPER	X	X					
9	627870	COVER-HANDLE POCKET-UPPER LH	X	X	X	X	X	X	X

NOTE: DOOR LINERS ASSEMBLIES ARE NOT SHIPPED WITH DOOR BINS.

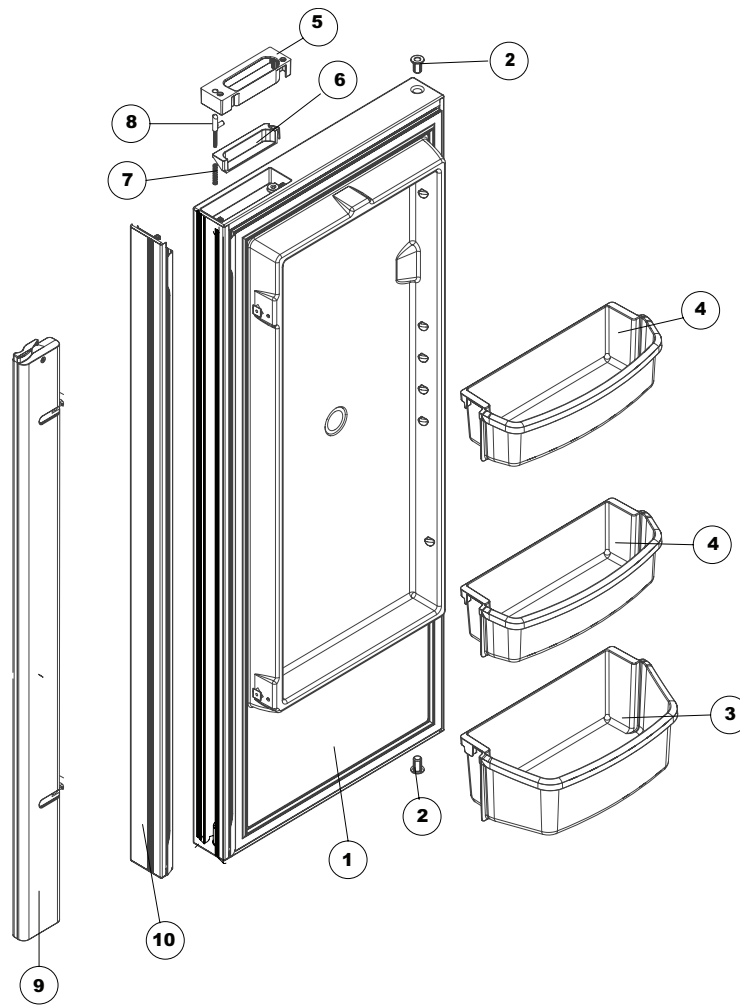
DOOR - LOWER RH - 2117 SERIES



NO.	PART #	DESCRIPTION	2117IM		2117IMBK		2117IMSS		2117IMSSD	
			2117IMC	2117IMCD	2117IMCBK	2117IMCBKD	2117IMCSS	2117IMCSSD	2117IMWPM	
1	630247	DOOR LINER WITH HANDLE-LOWER/RH/PANEL	X	X						
	632805	DOOR LINER WITH HANDLE-LOWER/RH/AT BLACK			X	X				
	630252	DOOR LINER WITH HANDLE-LOWER/RH/WRAP/AT SS					X	X		
	63035301	DOOR LINER WITH HANDLE-LOWER/RH/WRAP/WPM								X
2	627713	DOOR HANDLE HOUSING-UPPER LH/LOWER RH	X	X	X	X	X	X	X	X
3	628018	DOOR HANDLE-UPPER LH/LOWER RH	X	X	X	X	X	X	X	
4	627805	SPRING-COMPRESSION	X	X	X	X	X	X	X	
5	628615	DOOR HANDLE LATCH PIN-UPPER LH/LOWER RH	X	X	X	X	X	X	X	
6	627424	PANEL RETAINER-LOWER	X	X						
7	628035	BIN-DOOR SHELF/SMALL	X	X	X	X	X	X	X	
8	628036	BIN-DOOR SHELF/GALLON	X	X	X	X	X	X	X	
9	627744	HINGE BUSHING-PANEL DOORS	X	X						

NOTE: DOOR LINERS ASSEMBLIES ARE NOT SHIPPED WITH DOOR BINS.

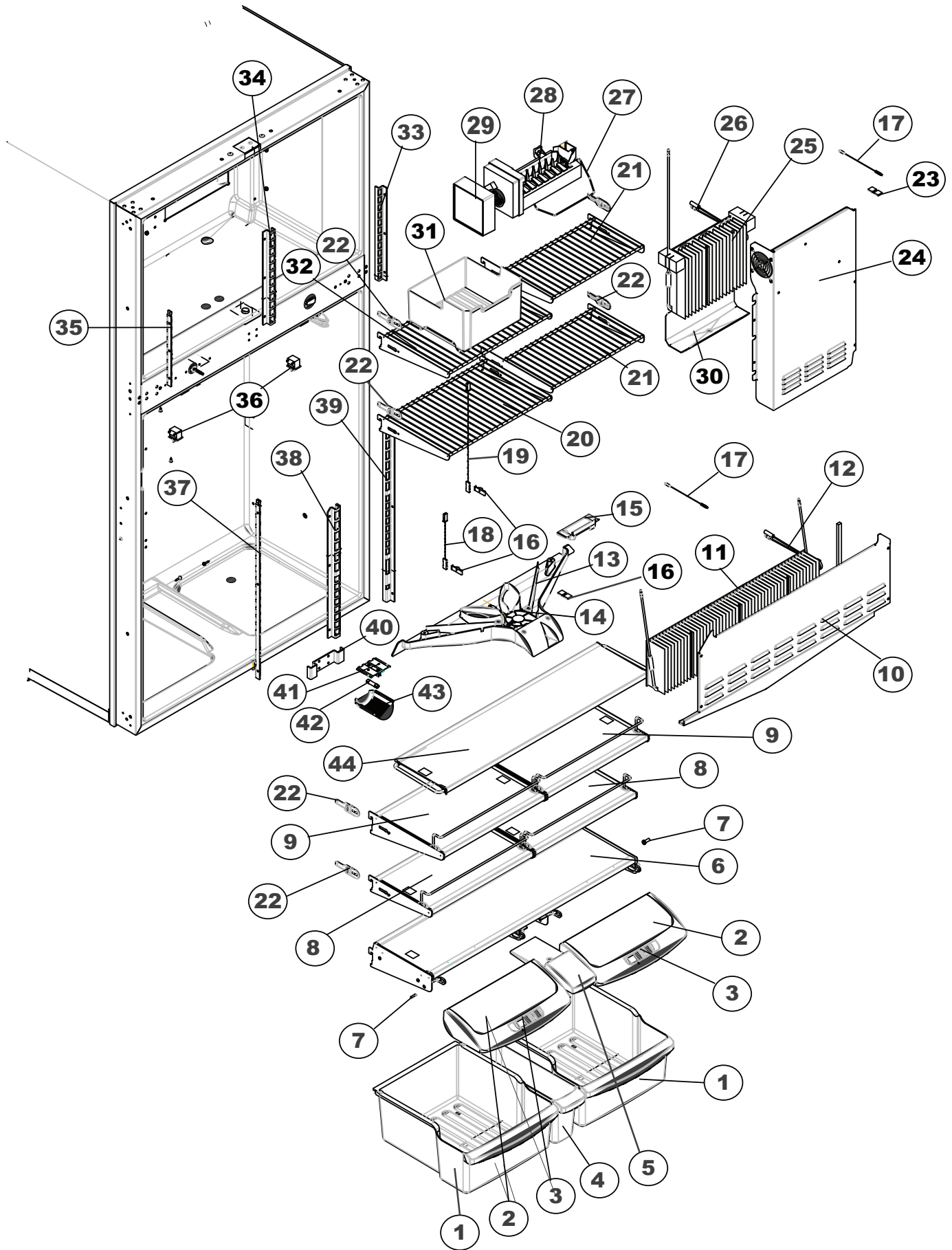
DOOR - LOWER LH - 2117 SERIES



NO.	PART #	DESCRIPTION	2117IM 2117IMC	2117IMD 2117IMCD	2117IMBK 2117IMCBK	2117IMBKD 2117IMCBKD	2117IMSS 2117IMCSS	2117IMSSD 2117IMCSSD	2117 IMWPM
1	630246	DOOR LINER WITH HANDLE-LOWER/LH/PANEL	X						
	630248	DOOR LINER WITH HANDLE-LOWER/LH/PANEL/DISP		X					
	632806	DOOR LINER WITH HANDLE-LOWER/LH/WRAP/AT BLACK			X				
	632807	DOOR LINER WITH HANDLE-LOWER/LH/WRAP/DISP/AT BLACK				X			
	630251	DOOR LINER WITH HANDLE-LOWER/LH/WRAP/AT STAINLESS					X		
	630253	DOOR LINER WITH HANDLE-LOWER/LH/WRAP/AT SS/DISP						X	
63035201	DOOR LINER WITH HANDLE-LOWER/LH/WRAP/WPM							X	
2	627744	HINGE BUSHING-PANEL DOORS	X	X					
3	628036	BIN-DOOR SHELF/GALLON	X	X	X	X	X	X	X
4	628035	BIN-DOOR SHELF/SMALL	X	X	X	X	X	X	X
5	627712	DOOR HANDLE HOUSING-UPPER RH/LOWER LH	X	X	X	X	X	X	X
6	628017	DOOR HANDLE-UPPER RH/LOWER LH	X	X	X	X	X	X	X
7	627805	SPRING-COMPRESSION	X	X	X	X	X	X	X
8	628616	DOOR HANDLE LATCH PIN-UPPER RH/LOWER LH	X	X	X	X	X	X	X
9	631031	FLAPPER ASSY-2117	X	X	X	X	X	X	X
10	627424	PANEL RETAINER-LOWER	X	X					

NOTE: DOOR LINERS ARE NOT SHIPPED WITH DOOR BINS AND FLAPPER ASSEMBLY.

CABINET ASSEMBLY - FRONT VIEW (INTERIOR PARTS) - 2117 SERIES



CABINET ASSEMBLY - FRONT VIEW (INTERIOR PARTS)- 2117 SERIES

NO.	PART #	DESCRIPTION	NON DISPENSER (IM)	WITH DISPENSER (IMD)
1	627866	CRISPER	X	X
2	627868	CRISPER LID-FLIP TOP	X	X
3	628829	VENT-CRISPER LID	X	X
4	628640	BIN-BEVERAGE CAN	X	X
5	628856	COVER-BEVERAGE BIN	X	X
6	628553	CRISPER COVER ASSY-GLASS SHELF	X	X
7	629473	SPACER-NYLON/CRISPER COVER ASSY	X	X
8	628080	SHELF ASSY-GLASS/SHALLOW	X	X
9	628055	SHELF ASSY-GLASS/DEEP	X	X
NS	629478	WIRE-FOOD FENCE (PART OF 628080 & 628055)	X	X
NS	629477	SLIDER-FOOD FENCE (PART OF 628080 & 628055)	X	X
10	630210	SHROUD FOAM ASSY-FRESHFOOD FIN ASSY(SERIAL# 11973837 & BELOW)	X	X
	632042	SHROUD FOAM ASSY-FRESHFOOD FIN ASSY(SERIAL# 11973838 & ABOVE)	X	X
11	628794	FIN ASSY-FRESH FOOD (WITH THERMOSTAT)	X	X
12	628647	THERMOSTAT-FIN ASSY/FRESH FOOD	X	X
13	630364	KIT-BLOWER HOUSING W/FOAM-FRESHFOOD(SERIAL# 11973837 & BELOW)	X	X
	634013	KIT-BLOWER HOUSING W/FOAM-FRESHFOOD(SERIAL# 11973838 & ABOVE)	X	X
14	628525	FAN-BLOWER/FRESH FOOD	X	X
NS	628780	VENT-BLOWER HOUSING/FRESH FOOD (NOT SHOWN)	X	X
NS	628799	BRACKET-FAN/FREEZER (NOT SHOWN)	X	X
15	628076	GUIDE BLOCK	X	X
16	630241	BRACKET-THERMISTOR MOUNTING/AIR	X	X
17	629491	THERMISTOR-ROD/AIR	X	X
18	620528	THERMISTOR-CONDENSER	X	X
19	629408	THERMISTOR-FREEZER	X	X
20	628786	SHELF ASSY-WIRE/FREEZER (SERIAL# 11973837 & BELOW)	X	X
	632039	SHELF ASSY-WIRE/FREEZER (SERIAL# 11973838 & ABOVE)	X	X
21	628787	SHELF ASSY-WIRE/FREEZER/SHORT (SERIAL# 11973837 & BELOW)	X	X
	632032	SHELF ASSY-WIRE/FREEZER/SHORT (SERIAL# 11973838 & ABOVE)	X	X
22	629447	RETAINER-SHELF	X	X
23	633734	CLIP-THERMISTER MOUNTING/FIN	X	X
24	628802	SHROUD ASSY-FREEZER/FINS	X	X
25	628650	FIN ASSY-FREEZER (WITH THERMOSTAT/HEATER/DRIP TRAY)	X	X
26	627873	THERMOSTAT-FIN ASSY/FREEZER	X	X
27	61656922	SHUT OFF ARM/IM	X	X
28	633324	KIT-ICE MAKER	X	X
29	61656822	COVER-FRONT/ICE MAKER	X	X
30	630219	DRIP TRAY-INSIDE/CABINET/FREEZER (SERIAL# 11323165 & ABOVE)	X	X
NS	632699	KIT-SERVICE-HEATER TUBE (SERIAL# 11323164 & BELOW)	X	X

CONTINUED ON PAGE 8

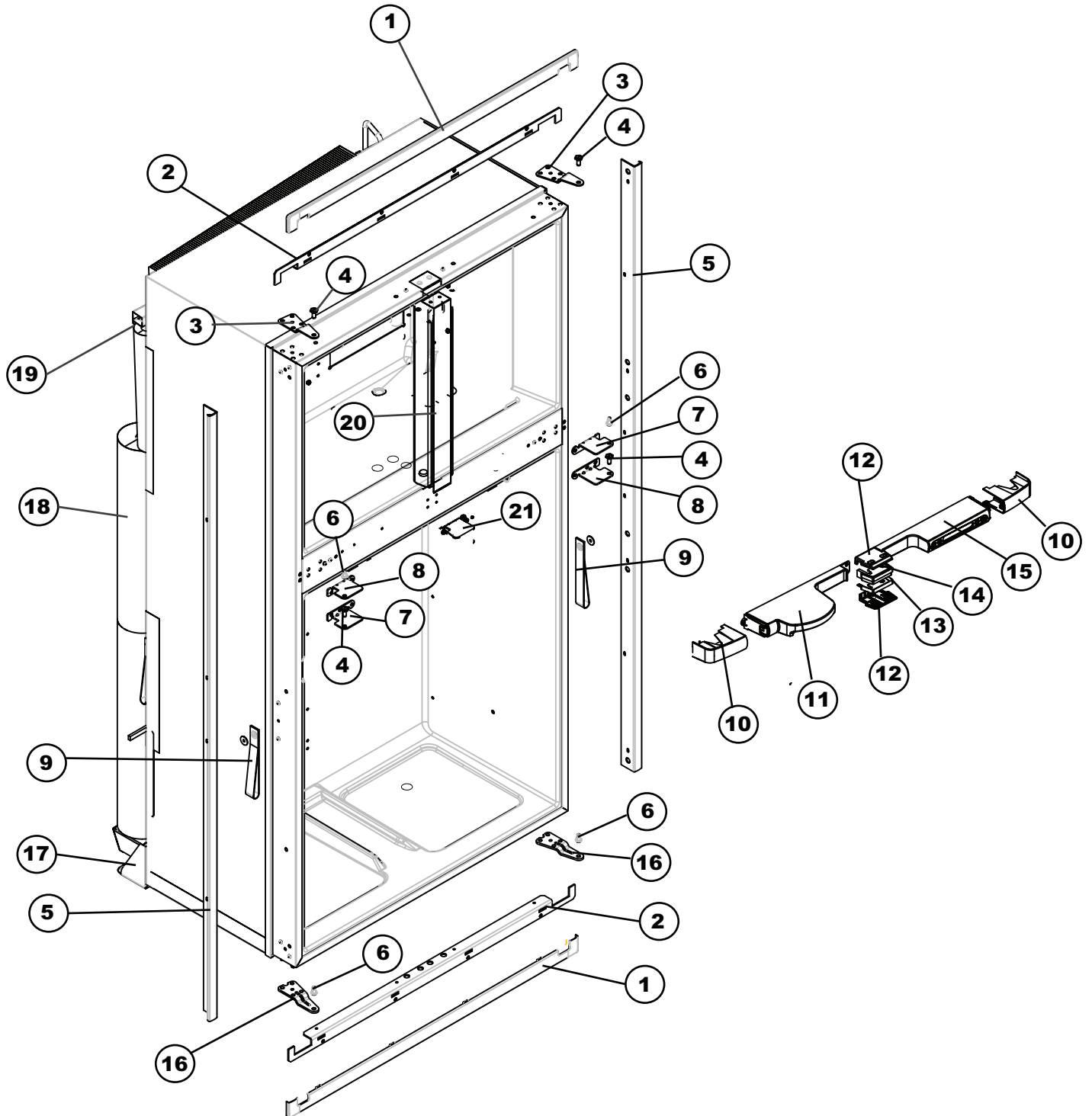
CABINET ASSEMBLY - FRONT VIEW (INTERIOR PARTS)- 2117 SERIES

CONTINUED FROM PAGE 7

31	619007	BIN-ICE/CRISPER/CLEAR/WDL/SDL	X	X
32	628056	SHELF ASSY-WIRE/FREEZER (SERIAL# 11973837 & BELOW)	X	X
	632040	SHELF ASSY-WIRE/FREEZER (SERIAL# 11973838 & ABOVE)	X	X
33	628506	SHELF SUPPORT-FREEZER-RH SIDE	X	X
34	628507	SHELF SUPPORT-FREEZER-CENTER	X	X
35	628788	SHELF SUPPORT-FREEZER/LH SIDE	X	X
36	623918	SWITCH-LIGHT	X	X
37	628503	SHELF SUPPORT-FRESH FOOD-LH SIDE	X	X
38	628504	SHELF SUPPORT-FRESH FOOD-CENTER	X	X
39	628505	SHELF SUPPORT-FRESH FOOD-RH SIDE	X	X
40	628839	SHELF SUPPORT-FRESH FOOD/CENTER/CRISPER AREA	X	X
41	61629722	LAMP BRACKET ASSY	X	X
42	632545	LAMP-DC LIGHT BULB	X	X
43	621827	COVER-LAMP BRACKET	X	X
44	628045	SHELF ASSY-GLASS/FULL (SERIAL# 11973837 & BELOW)	X	X
	632030	SHELF ASSY-GLASS/FULL (SERIAL# 11973838 & ABOVE)	X	X
NS	628831	DRIP TRAY-INSIDE/CABINET/FRESHFOOD (NOTSHOWN) (S/N 11973837 & <)	X	X
	632028	DRIP TRAY-INSIDE/CABINET/FRESHFOOD (NOTSHOWN) (S/N 11973838 & >)	X	X
NS	630649	HOUSING FOAM STRIP ASSY-FAN/FREEZER (NOT SHOWN)	X	X
NS	628508	FAN-DC/FREEZER (NOT SHOWN)	X	X
NS	629413	WIRE-JUMPER/LAMP (NOT SHOWN)	X	X

NS - NOT SHOWN

CABINET ASSEMBLY - FRONT VIEW (EXTERIOR PARTS) - 2117 SERIES

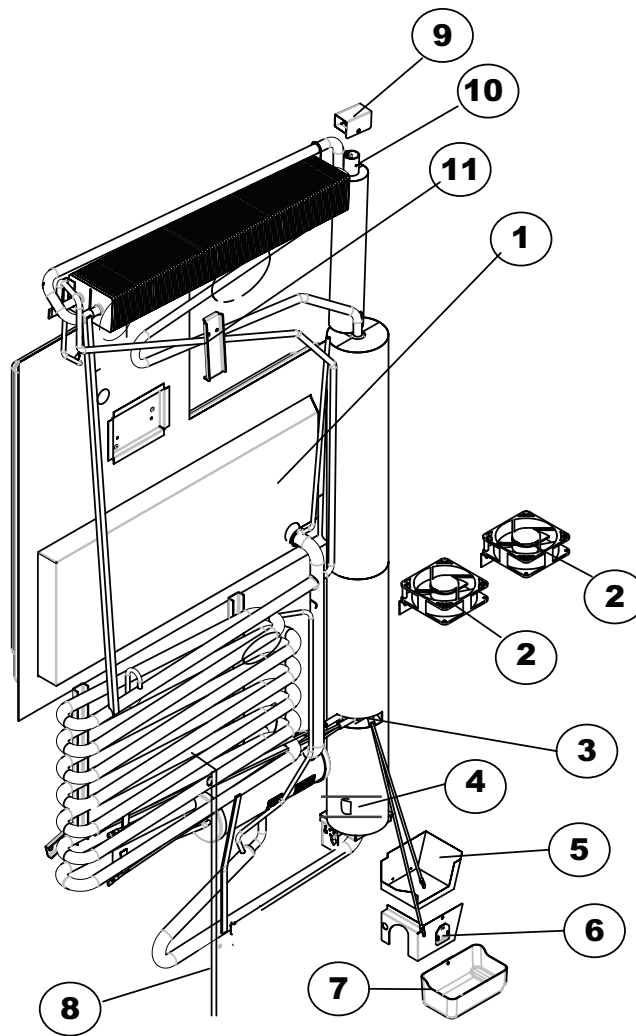


CABINET ASSEMBLY - FRONT VIEW (EXTERIOR PARTS) - 2117 SERIES

NO.	PART #	DESCRIPTION	NON DISPENSER (IM)	WITH DISPENSER (IMD)
1	627852	TRIM PIECE-TOP/BOTTOM/SET	X	X
2	630363	BRACKET FOAM ASSY-TOP/BOTTOM MOUNTING	X	X
3	627736	HINGE-UPPER	X	X
4	627778	HINGE PIN-UPPER	X	X
5	630362	TRIM PIECE FOAM TAPE ASSY-CABINET/SIDE	X	X
6	627777	HINGE PIN-LOWER	X	X
7	627739	HINGE-CENTER-UPPER RH/LOWER LH	X	X
8	627738	HINGE-CENTER-UPPER LH/LOWER RH	X	X
9	628818	STRAP ASSY-CABINET HANDLING	X	X
10	628579	COVER-HINGE-SNAP ON	X	X
11	628565	HOUSING-DISPENSER		X
NS	628568	CONTROL BOX-DUMMY (NOT SHOWN)	X	
12	628577	STRIKE PLATE	X	X
13	628576	COVER-STRIKE PLATE/BOTTOM	X	X
14	628575	COVER-STRIKE PLATE/TOP	X	X
15	628570	CONTROL ASSY-OPTICAL/2117 SERIES	X	X
16	627740	HINGE-BOTTOM	X	X
17	627849	BRACE-BACK	X	X
18	630746	NSC SYSTEM PACK-2117 SERIES	X	X
19	629099	CAP-HEAT DEFLECTOR	X	X
20	628047	DIVIDER ASSY-FREEZER-VERTICAL	X	X
21	628076	GUIDE BLOCK-FLAPPER/2117	X	X
NS	627752	RAIL-BOTTOM SUPPORT (NOT SHOWN)	X	X

NS - NOT SHOWN

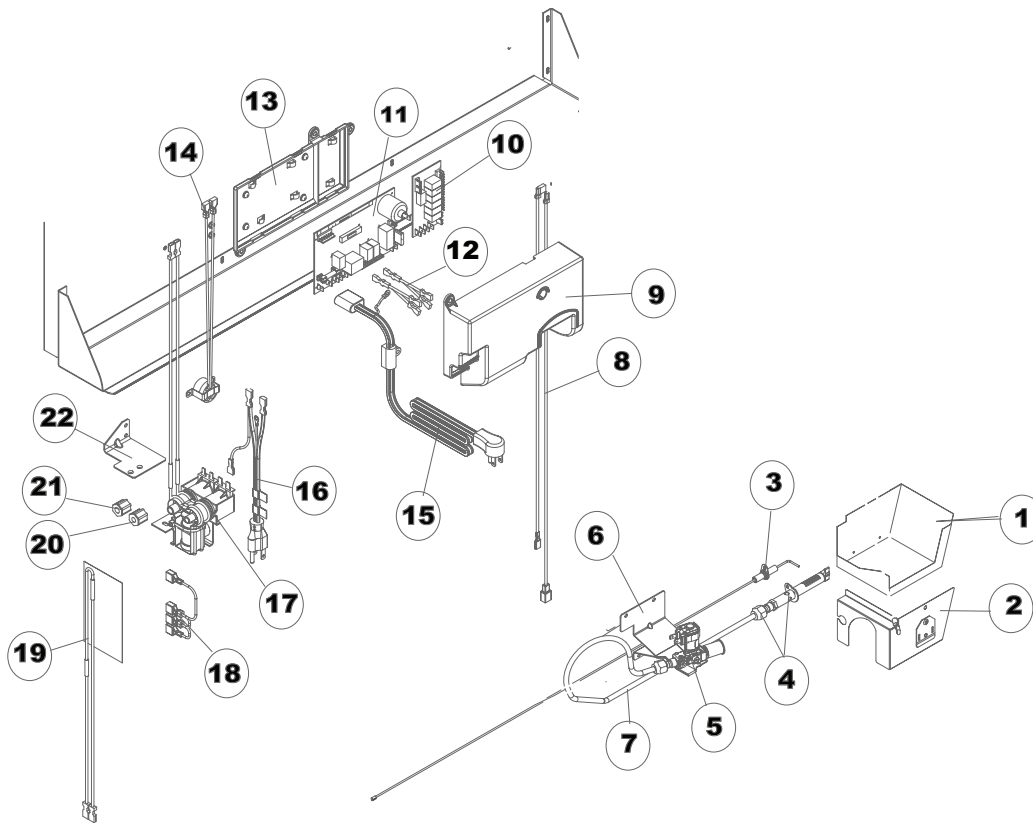
COOLING UNIT AREA - REAR VIEW - 2117 SERIES



NO.	PART #	DESCRIPTION	NON DISPENSER (IM)	WITH DISPENSER (IMD)
1	632304	NSC SYSTEM PACK-(BACKER HEATER) (CU SERIAL# 11973837 & BELOW)	X	X
	633337	NSC SYSTEM PACK-(BACKER HEATER) (CU SERIAL# 11973838 & ABOVE)	X	X
	623442	FAN-EXTERNAL DC/HIGH VELOCITY	X	X
NS	628747	BRACKET-DC FAN	X	X
	630775	HEATER-AC COOLING UNIT (CU SERIAL# 11255149 & BELOW)	X	X
	630813	HEATER-AC/BACKER (COOLING UNIT SERIAL# 11255150 & ABOVE)	X	X
NS	630776	WIRE-JUMPER/AC HEATER (BLUE OR BLACK HEATER LEAD)	X	X
NS	629479	WIRE-JUMPER/AC HEATER (YELLOW WIRE)	X	X
4	630280	KIT-TEMPERATURE SWITCH CANISTER ASSEMBLY	X	X
5	618902	BASE-BURNER BOX	X	X
6	618910	COVER ASSY-BURNER BOX	X	X
7	629490	DRIP CUP-REAR/CABINET	X	X
8	622391	DRAIN HOSE ASSY	X	X
9	629099	CAP-HEAT DEFLECTOR	X	X
10	628599	BAFFLE/WIRE ASSY-DIFFUSER	X	X
11	629484	BRACKET-SYSTEM TIE DOWN	X	X

NS - NOT SHOWN

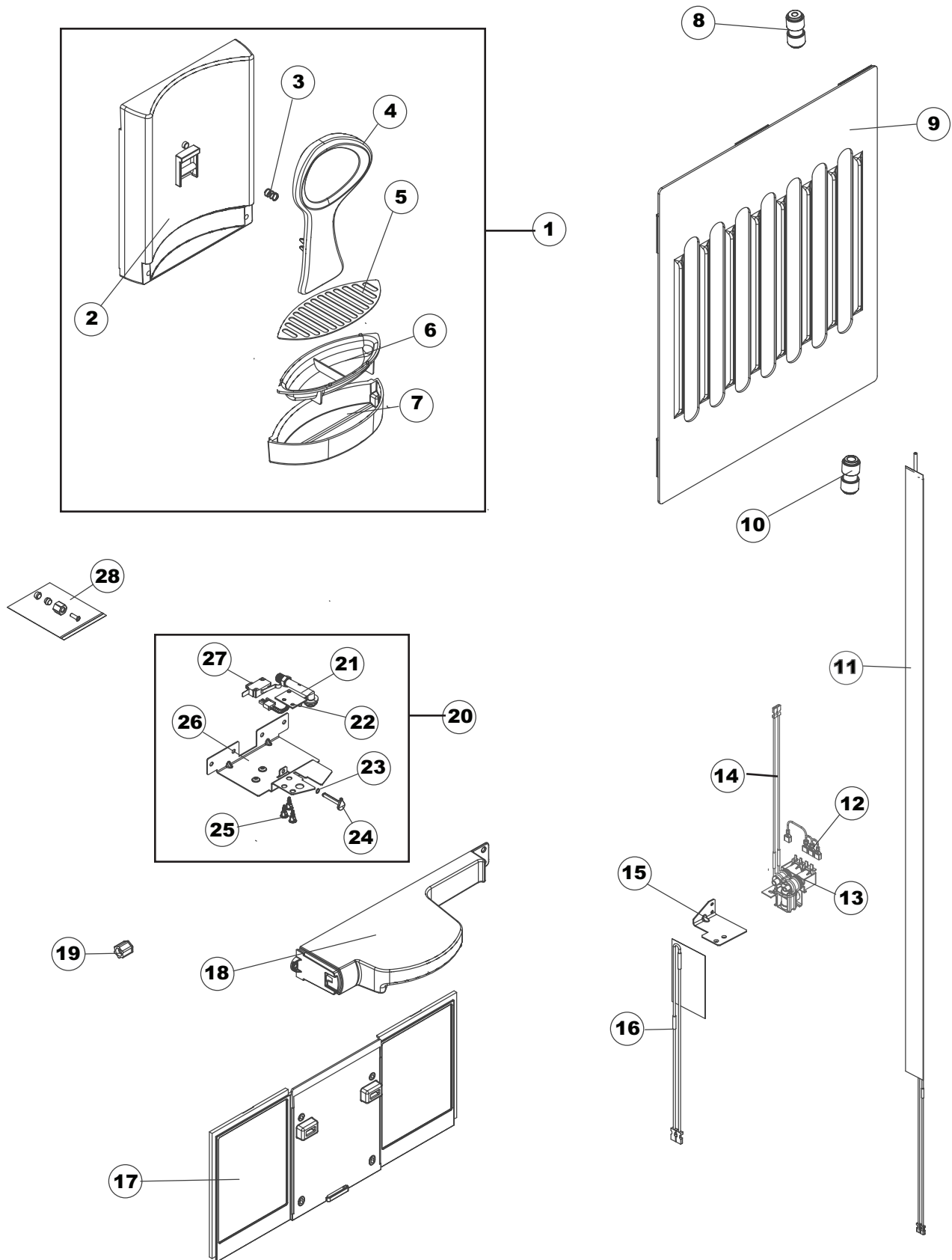
CONTROL PARTS - REAR VIEW - 2117 SERIES



NO.	PART #	DESCRIPTION	NON DISPENSER (IM)	WITH DISPENSER (IMD)
1	618902	BASE-BURNER BOX	X	X
2	618910	COVER ASSY-BURNER BOX	X	X
3	629424	ELECTRODE-SPARK/SENSE	X	X
4	630360	KIT-BURNER ORIFICE ADAPTER ASSY/2117 SERIES	X	X
5	633726	GAS VALVE-SOLENOID	X	X
6	624681	BRACKET-MOUNTING/GAS VALVE	X	X
7	628921	BURNER TUBE	X	X
8	630202	WIRE-INPUT/OVER TEMPERATURE/THERMAL SWITCH	X	X
9	628678	COVER-POWER BOARD/LARGE	X	X
10	628668	BOARD-AUTO DEFROST	X	X
11	628661	POWER BOARD	X	X
12	629479	WIRE-JUMPER/AC/HEATER (YELLOW WIRE)	X	X
	629480	WIRE-JUMPER/AC/BLACK	X	X
13	628675	BASE-POWER BOARD/LARGE	X	X
14	620240	THERMOSTAT-IM HEATER ASSY	X	X
15	621755	CORD-AC POWER/ICE MAKER/WHITE	X	X
16	61554422	CORD-AC POWER/BLACK	X	X
17	624516	WATER VALVE-DISPENSER/DUAL PORT		X
	633325	KIT-WATER VALVE-SINGLE PORT	X	
NS	625856	WATER VALVE/HEATER ASSY-DISPENSER		X
18	626802	WIRE-JUMPER-WIRE HARNESS/DISPENSER		X
19	626804	HEATER-WATER VALVE/DISPENSER		X
20	622991	NUT-COMPRESSION/PLASTIC/WATER VALVE FITTING/IM	X	X
21	625880	NUT-COMPRESSION 5/16"/DISPENSER		X
22	624503	BRACKET-WATER VALVE/DISPENSER		X

NS = NOT SHOWN

WATER DISPENSER PARTS - 2117 SERIES



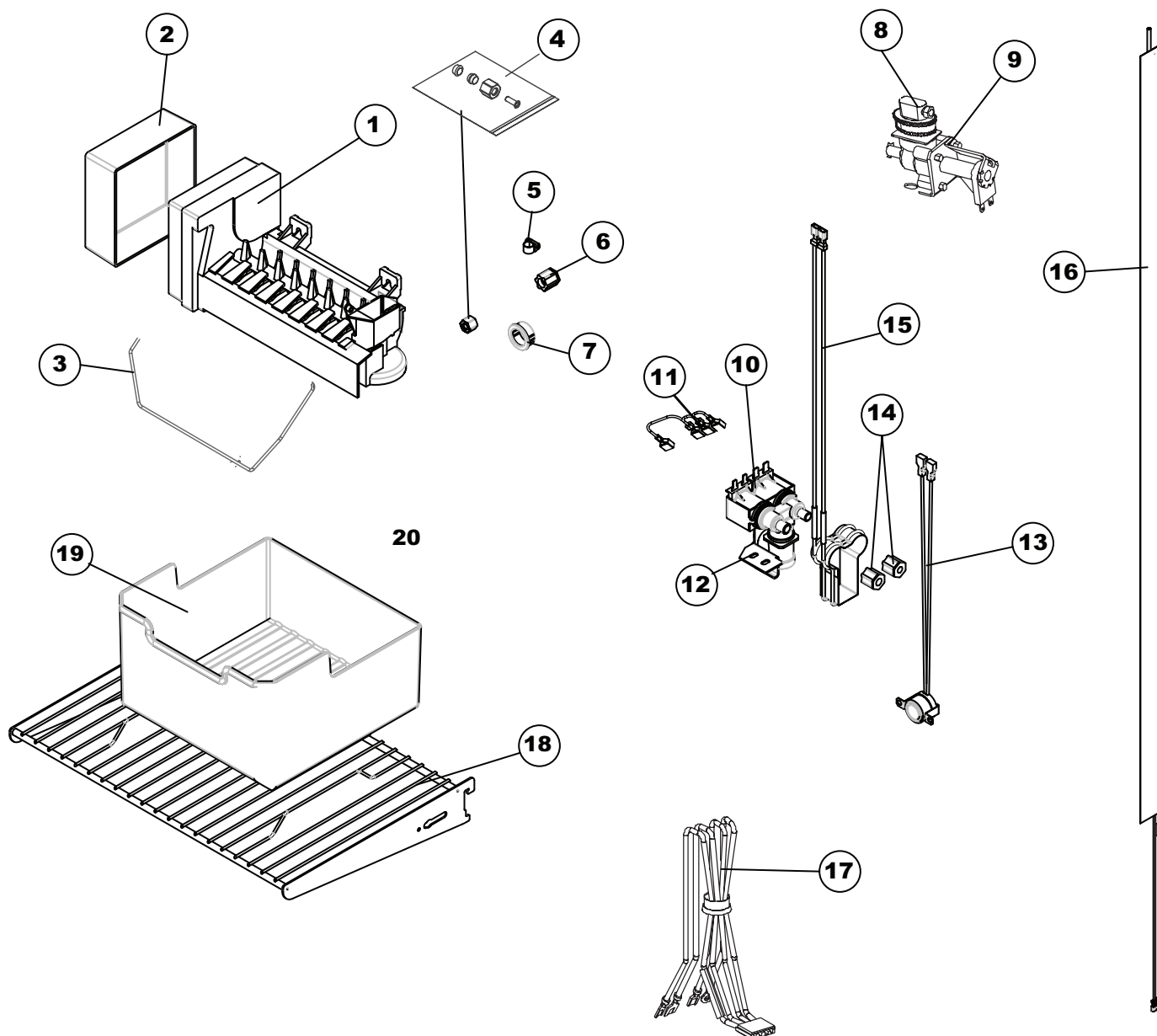
WATER DISPENSER PARTS- 2117 SERIES

NO.	PART #	DESCRIPTION	2117 PANEL	2117 WRAP
1	629486	BACKSPLASH ASSY	X	X
2	627570	BACKSPLASH/CLIP ASSY (USE 635687)	X	X
	635687	BACKSPLASH/CLIP ASSY	X	X
3	618182	SPRING-COMPRESSION	X	X
4	624391	PADDLE	X	X
5	625241	DRAIN GRID	X	X
6	625385	DRIP CUP-INSIDE	X	X
7	625366	DRIP TRAY-OUTSIDE	X	X
8	625528	CONNECTOR-UNION	X	X
9	628811	COVER ASSY-WATER RESERVOIR	X	X
NS	628805	WATER RESERVOIR (NOT SHOWN)	X	X
10	625881	CONNECTOR-5/16" UNION	X	X
11	625879	WATER TUBE/HEATER ASSY	X	X
12	626802	JUMPER-WIRE HARNESS	X	X
13	624516	WATER VALVE-DUAL PORT	X	X
14	626804	HEATER-WATER VALVE	X	X
	625856	WATER VALVE/HEATER ASSY (NO. 13 AND NO. 14)	X	X
15	624503	BRACKET-WATER VALVE	X	X
16	629401	HEATER-WATER LINE	X	X
17	628827	TRIM PANEL-PANEL DOORS	X	
	628635	TRIM PANEL-WRAP DOORS		X
18	628565	HOUSING	X	X
19	625880	NUT-COMPRESSION 5/16"	X	X
20	628567	WATER DISPENSER BRACKET ASSY	X	X
21	626820	SPIGOT	X	X
22	627143	BOARD-LED	X	X
23	628916	RING-RETAINING	X	X
24	628578	PLUNGER	X	X
25	625006	FASTENER-LED BOARD	X	X
26	628566	BRACKET-WATER DISPENSER	X	X
27	624574	SWITCH	X	X
28	625882	KIT-IM TUBE FITTINGS (COMBINATION OF A, B, C, & D)	X	X
A	61692622	SLEEVE-BALL/.25"/TUBE COMPRESSION RING/BRASS	X	X
B	622846	NUT-BRASS/GARDEN HOSE ADAPTER	X	X
C	623181	SLEEVE-BALL/.25"/TUBE COMPRESSION RING/PLASTIC	X	X
D	622835	INSERT-BRASS/.40" OEM WATER LINE/IM	X	X
NS	630248	DOOR LINER WITH HANDLE/LOWER/LH/PANEL	X	
NS	630253	DOOR LINER WITH HANDLE/LOWER/LH/WRAP/DISP/SS		X
NS	63035401	DOOR LINER WITH HANDLE/LOWER/LH/WRAP/DISP/WPM		X

PART IS NO LONGER AVAILABLE

NS - NOT SHOWN

ICE MAKER PARTS - 2117 SERIES



ICE MAKER PARTS - 2117 SERIES

NO.	PART #	DESCRIPTION	NON DISPENSER (IM)	WITH DISPENSER (IMD)
1	633324	KIT-ICE MAKER	X	X
2	61656822	COVER-FRONT/ICE MAKER	X	X
3	61656922	SHUT OFF ARM/ICE MAKER	X	X
4	623182	KIT-OEM WATER TUBE FITTINGS (COMBINATION OF A, C & D)	X	
	625882	KIT-OEM WATER TUBE FITTINGS (COMBINATION OF A, B, C, & D)		X
A	61692622	SLEEVE-BALL/.25"/TUBE COMPRESSION RING/BRASS	X	X
B	622846	NUT-BRASS/GARDEN HOSE ADAPTER		X
C	623181	SLEEVE-BALL/.25"/TUBE COMPRESSION RING/PLASTIC	X	X
D	622835	INSERT-BRASS/.40" OEM WATER LINE/IM	X	X
5	61690822	CLAMP-TUBING/IM	X	X
6	622991	NUT-COMPRESSION/PLASTIC/WATER VALVE FITTING/IM	X	X
7	61541422	BUSHING-SNAP	X	X
8	61679622	GARDEN HOSE ADAPTER-STRAIGHT/IM	X	
9	633325	KIT-WATER VALVE-SINGLE PORT	X	
10	624516	WATER VALVE-DISPENSER/DUAL PORT		X
11	626802	JUMPER-WIRE HARNESS	X	X
12	624503	BRACKET-WATER VALVE		X
13	620240	THERMOSTAT-IM HEATER ASSY	X	X
14	625880	NUT-COMPRESSION 5/16"		X
15	626804	HEATER-WATER VALVE		X
16	621429	WATER TUBE/HEATER ASSY/FOR ICE MAKER	X	
	625879	WATER TUBE/HEATER ASSY/FOR ICE MAKER/DISPENSER		X
17	628580	WIRING HARNESS-ICE MAKER	X	X
18	628056	SHELF ASSY-WIRE/FREEZER	X	X
19	619007	BIN-ICE/CRISPER/CLEAR/WDL/SDL	X	X
NS	621755	CORD-AC POWER/ICE MAKER/WHITE (NOT SHOWN)	X	X

NS = NOT SHOWN